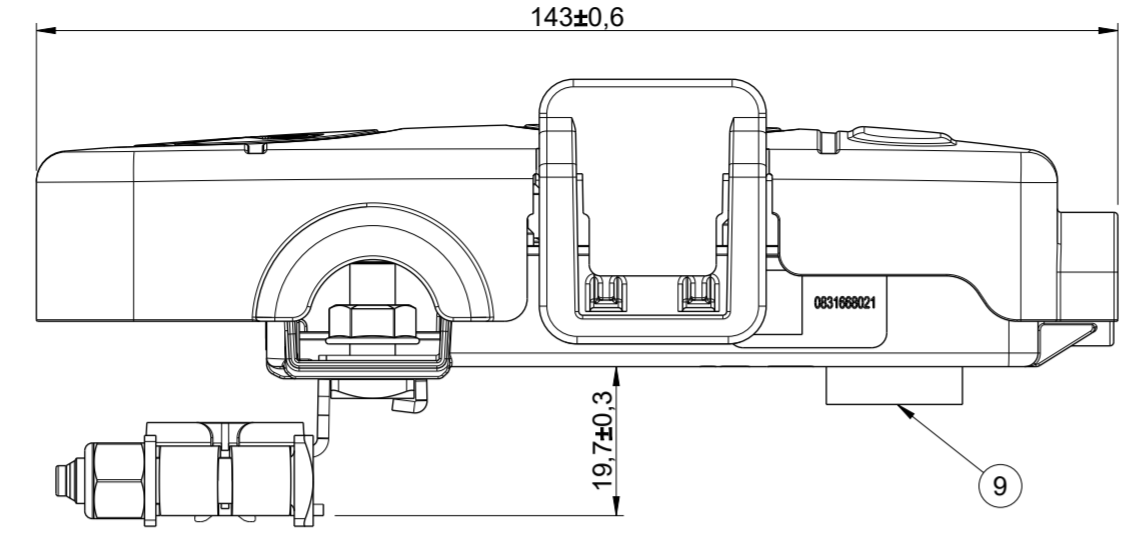
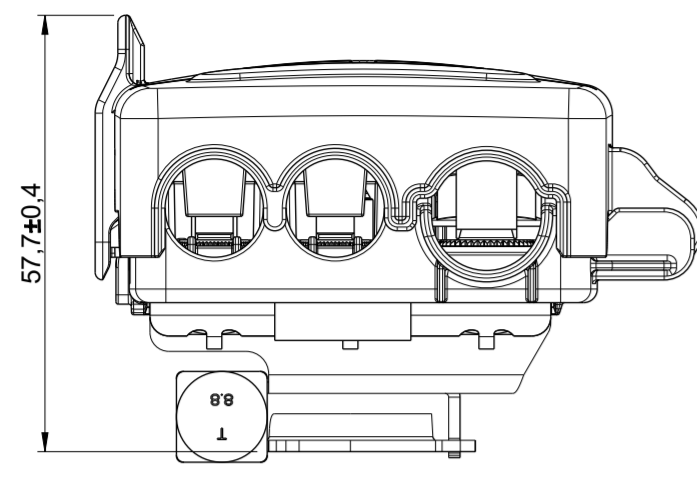
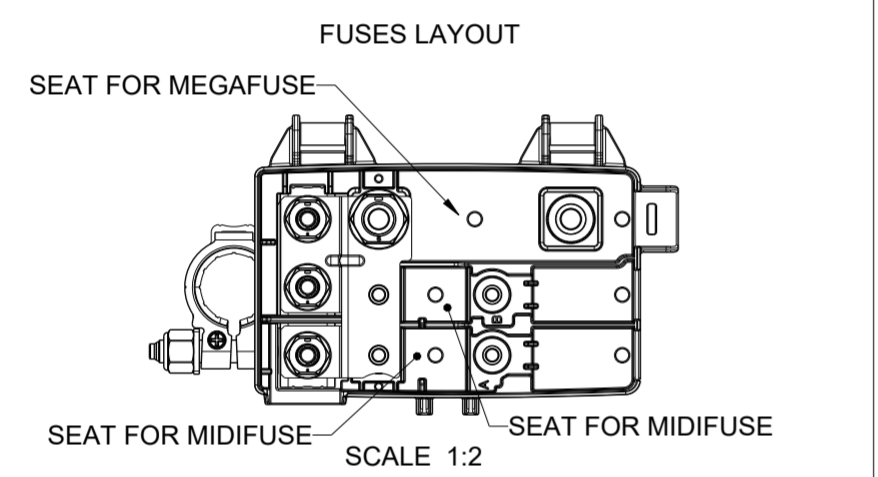
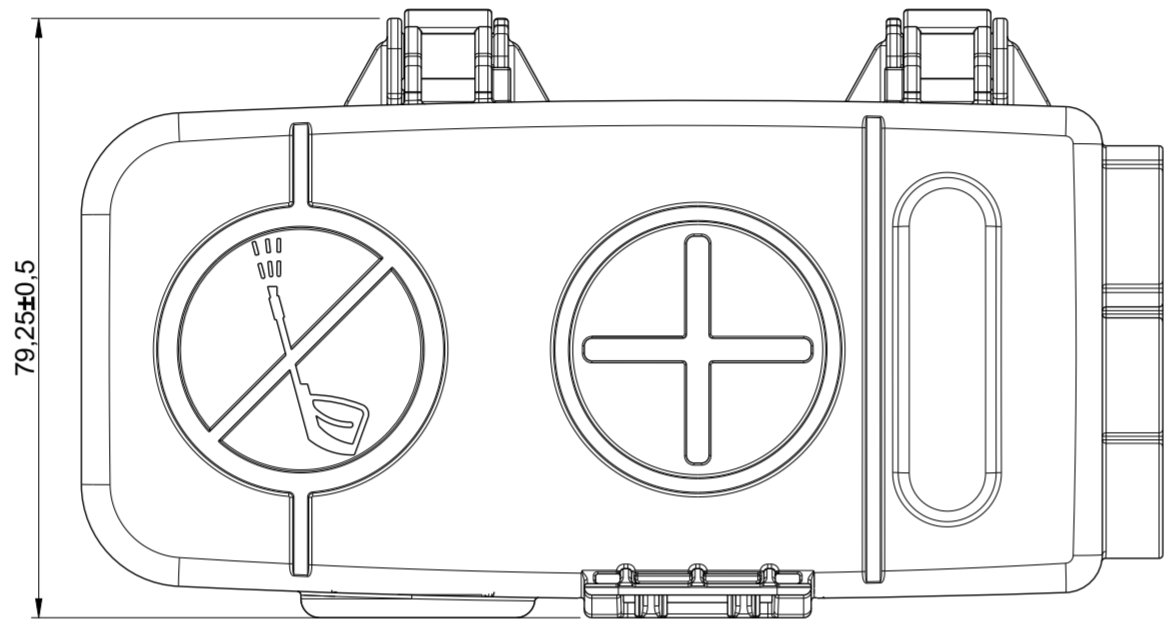


SPECIAL CHARACTERISTICS				
No.	AREA	VALUE	UP TO MTA	UP TO CUSTOMER
01	-	-	-	-

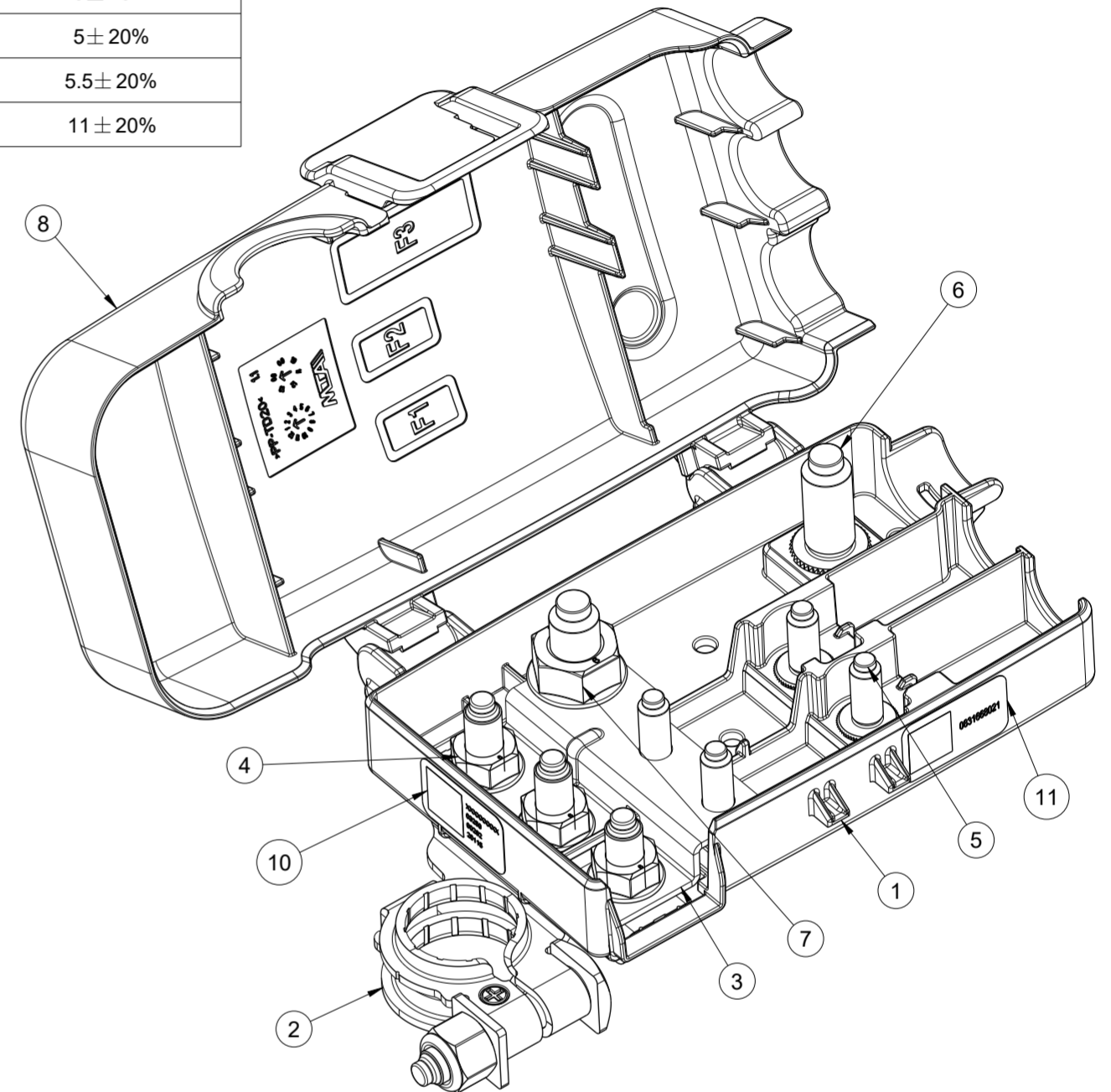
REV.		REVISION HISTORY		NAME	DATE
0	FIRST ISSUE			M.CORBANI	06.02.14
1	UPDATED FORMAT, MATERIAL TABLE			E.GOTTSFRITZ	18.01.21



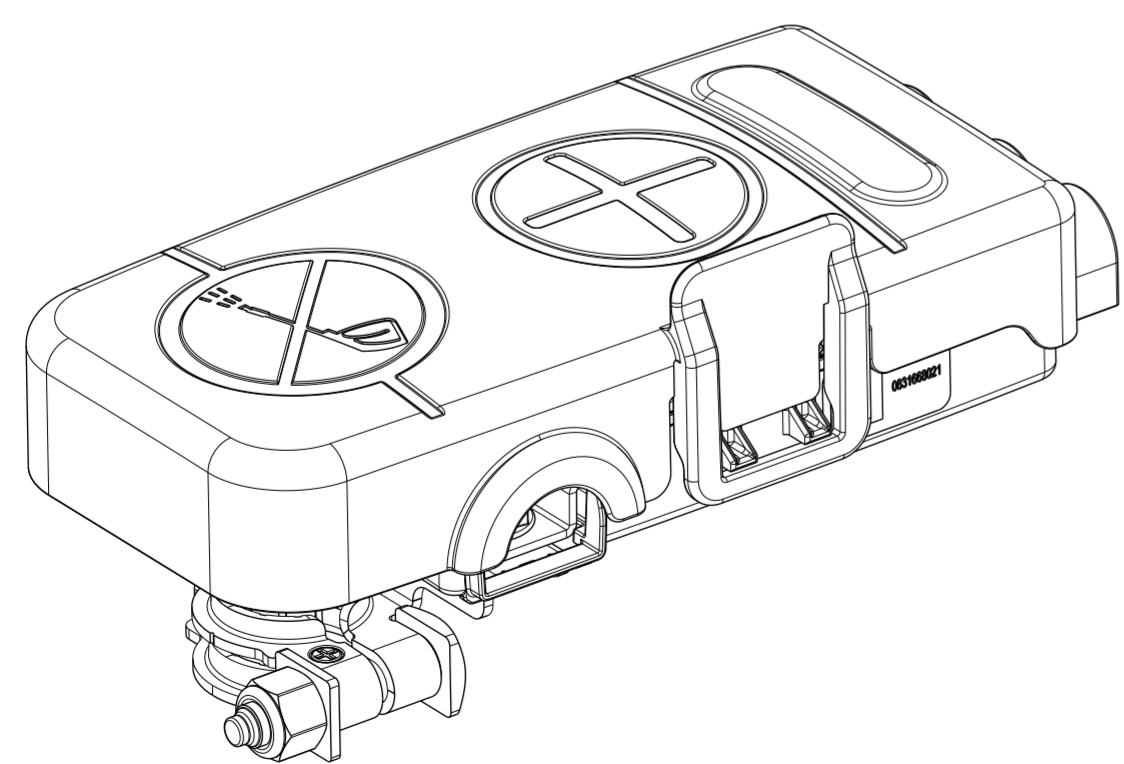
OPERATING FEATURES		
FEATURES	UNIT	VALUE
V max	V	32
T. min - T. max	°C	-40 / +120
I max	A	SEE NOTE
IP	IEC 529	22
FLAMMABILITY	UL 94	HB
TIGHTENING TORQUE M5 POS.A	Nm	5 ± 20%
TIGHTENING TORQUE M6 POS.B	Nm	5 ± 20%
TIGHTENING TORQUE M6 POS.C	Nm	5.5 ± 20%
TIGHTENING TORQUE M8 POS.D	Nm	11 ± 20%



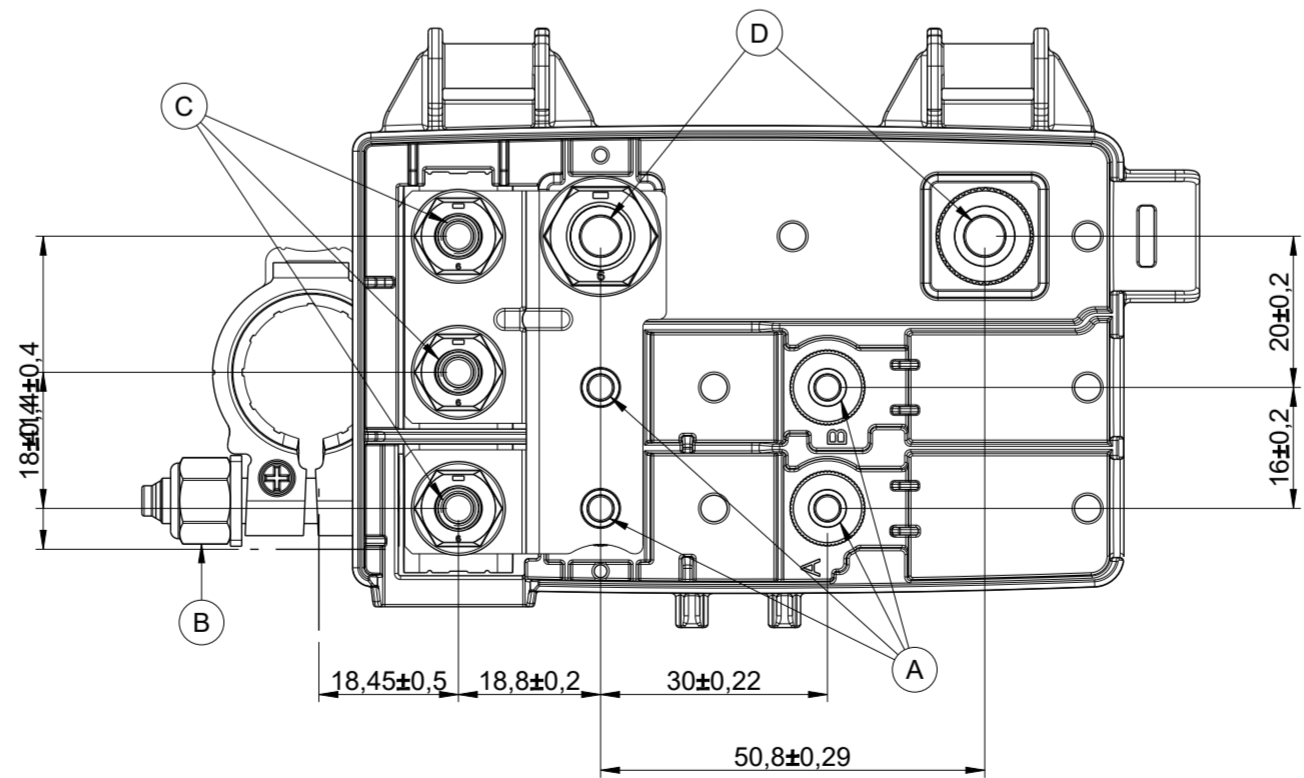
NOTE
 - FUSES ELECTRICAL CONFIGURATION TO BE DEFINED AND VERIFIED BY MTA
 - BLOCK ALL POWER BOX OUTGOING CABLES AT A MAXIMUM DISTANCE OF 30 cm FROM THE SAME POWER BOX



SUPPLY STATUS WITH CLOSED COVER



VIEW WITHOUT COVER



POS.	Q.TY	DENOMINATION	MATERIAL
11	1	INTERNAL TRACEABILITY LABEL	POLYESTER
10	1	TRACEABILITY LABEL	POLYESTER
9	1	ADESIVE SPONGE DAMPER	-
8	1	COVER	PP TD-20
7	4	M8 SELF LOCKING NUT	STEEL CLASS 6 ZnNi
6	2	M8 SCREW / VITE M8	STEEL CLASS 8.8 ZnNi
5	4	M5 SCREW / VITE M5	STEEL CLASS 8.8 ZnNi
4	3	M6 SELF LOCKING NUT	STEEL CLASS 8.8 ZnNi
3	1	BUS-BAR	Cu ETP Pre-Sn
2	1	POSITIVE BATTERY TERMINAL	-
1	1	HOUSING	PBT-GF20 HB

MTA		MTA P/N	0300839/3x	Denom.	CDB W/O FUSES
		Draw No.	B0-002.309E	Used for	-
		Draw for	CUSTOMER	Material	SEE TABLE
Draft date	17.05.10	Scale	1:1	Coating	SEE TABLE
Issued by	P.BALORDI	CAD MODEL Weight(g)	158	Colour	SEE TABLE
Verified by	F.COELHO	Lin.Tol.±	0.5	Dimensions in (mm)	1/1
PQ Approval	A.BIFFI	Ang.Tol.±	1°	Sheet	1/1
TD Approval	M.ROSSI	CAD Software PTC Creo			

REV. 1 PAPER COPY ONLY FOR REFERENCE CHECK LAST REVISION RELEASE ON ELECTRONIC VERSION

RELEASED
22/01/2021

All proprietary rights reserved by MTA S.p.A. - This drawing shall not be reproduced, or in any way utilized, for the manufacture of the component or unit herein illustrated and must not be released to other parties, without written consent. Any infringement will be legally pursued.